

SPINNER 2049

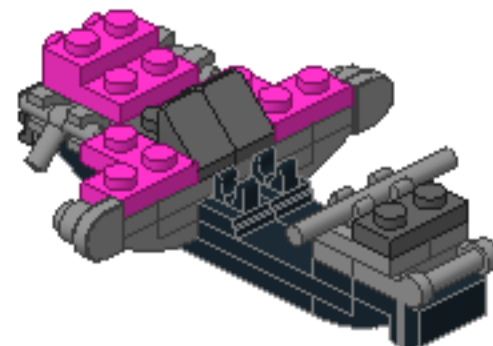
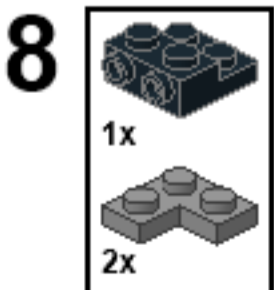
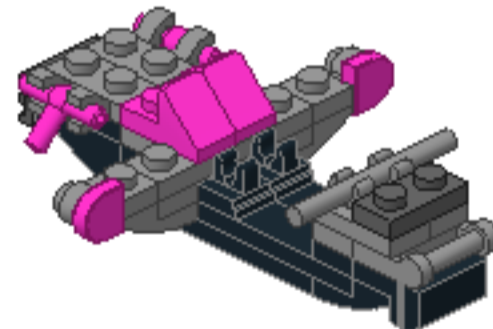
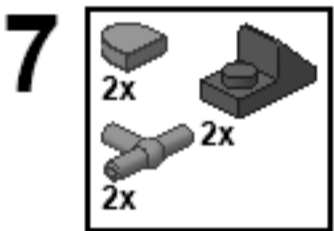
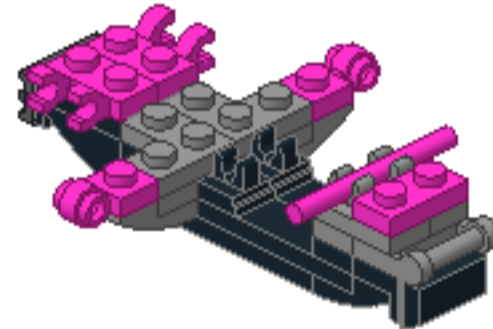
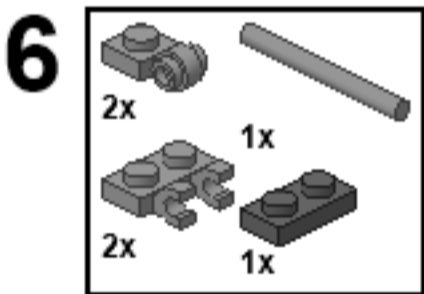
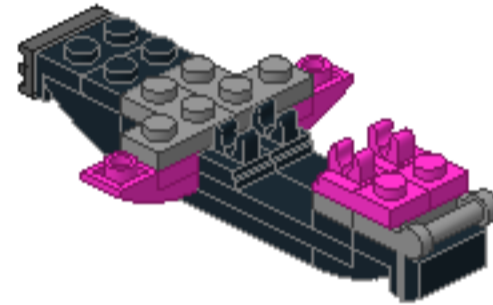
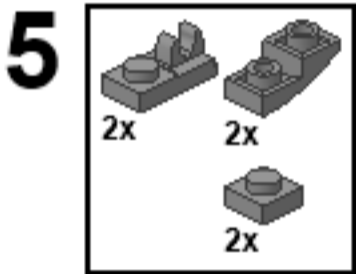
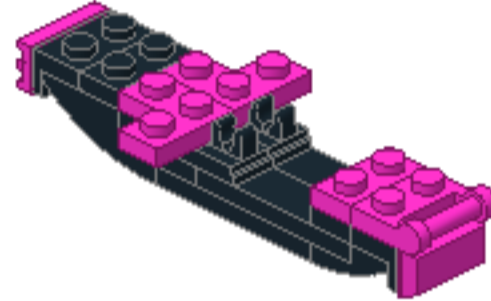
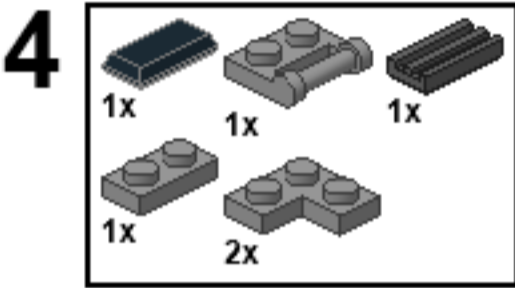
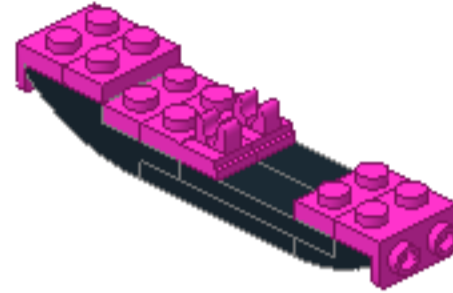
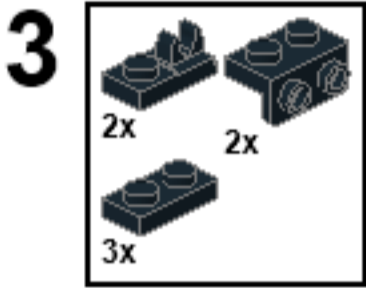
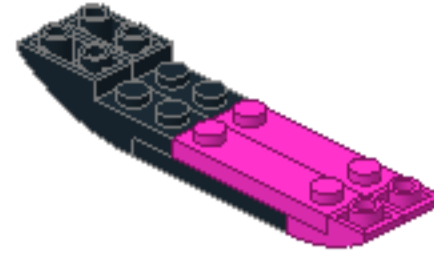
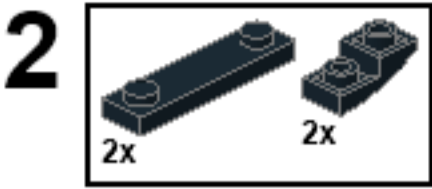
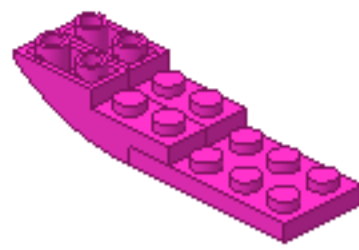
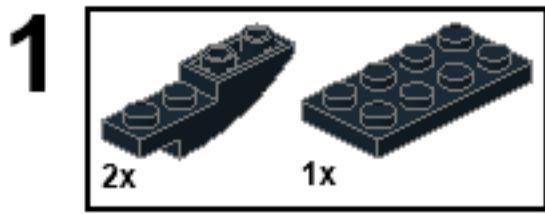
(2017) [GoPlaysWithLego](#)



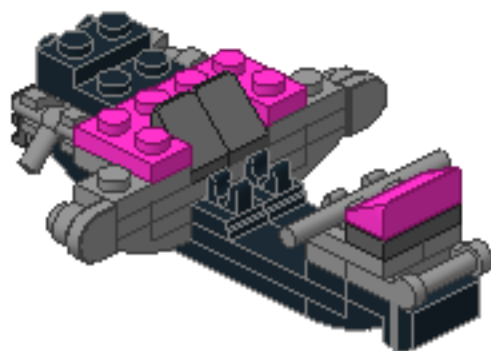
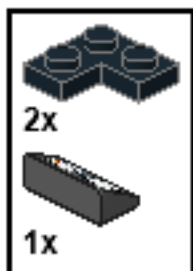
Here are the instructions for the Spinner 2049, with optional thrusters & display stands.

Free, but if you've built it, liked it & wanna [support/donate](#), nothing wrong with that.

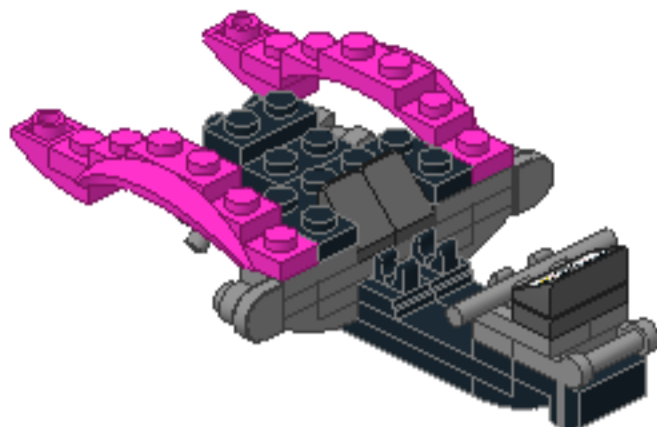
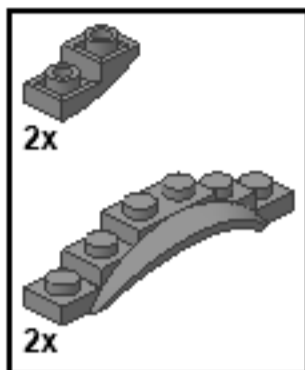
Part list at the end of this document, or on Rebrickable.
Instructions designed using Blueprint by MSX.



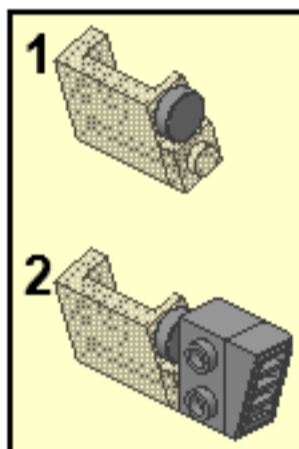
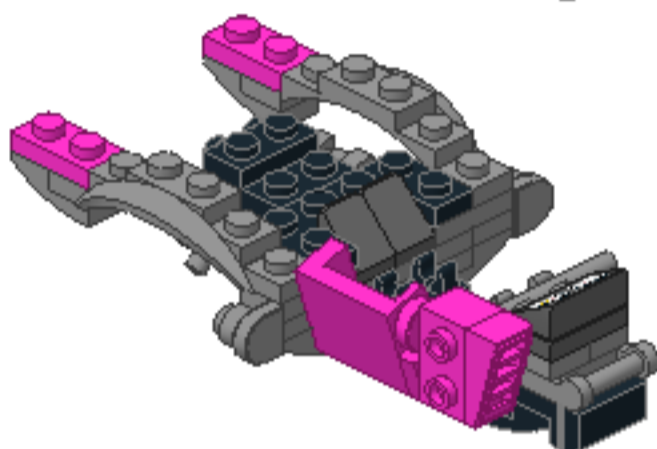
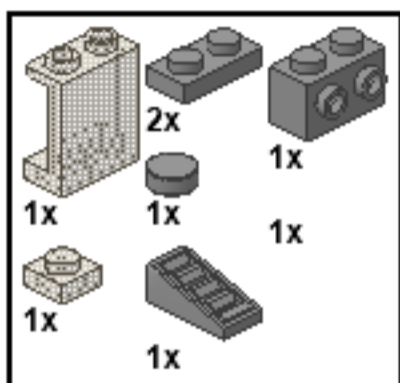
9



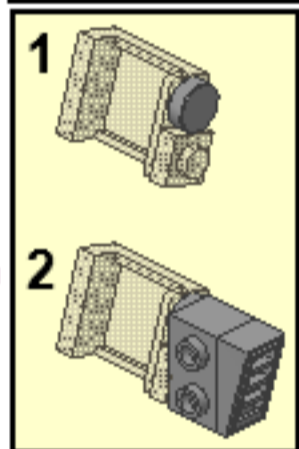
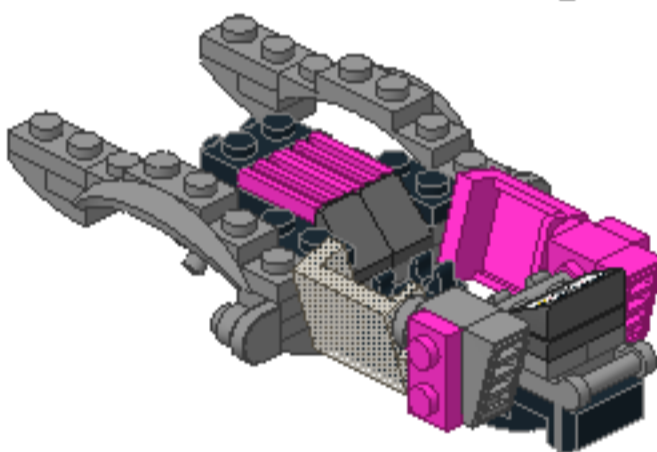
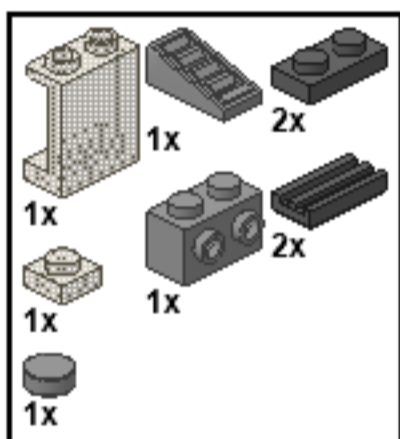
10



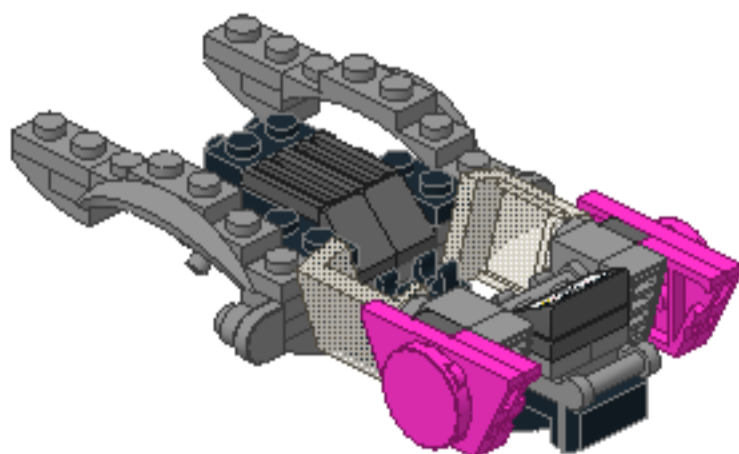
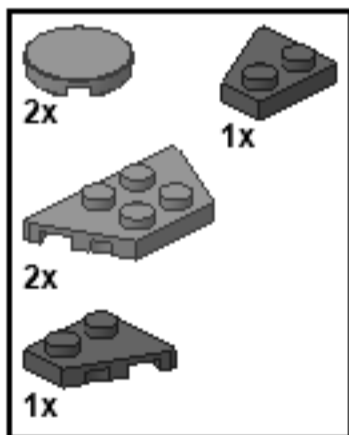
11



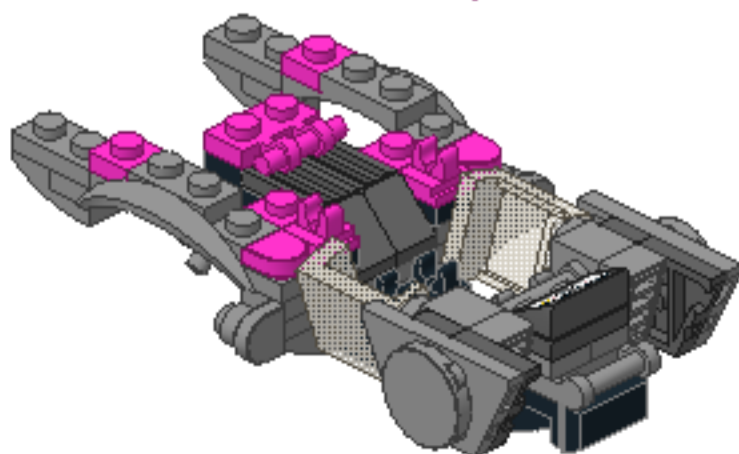
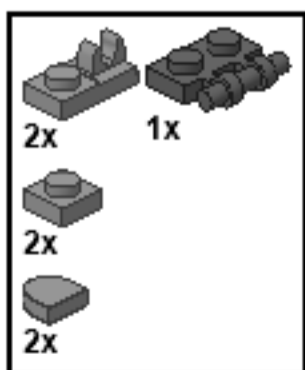
12



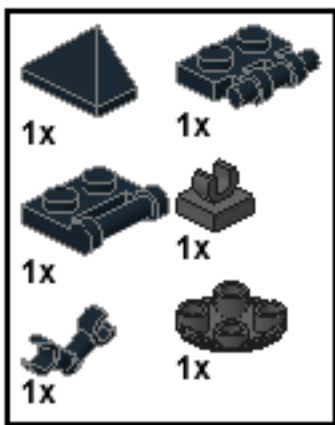
13



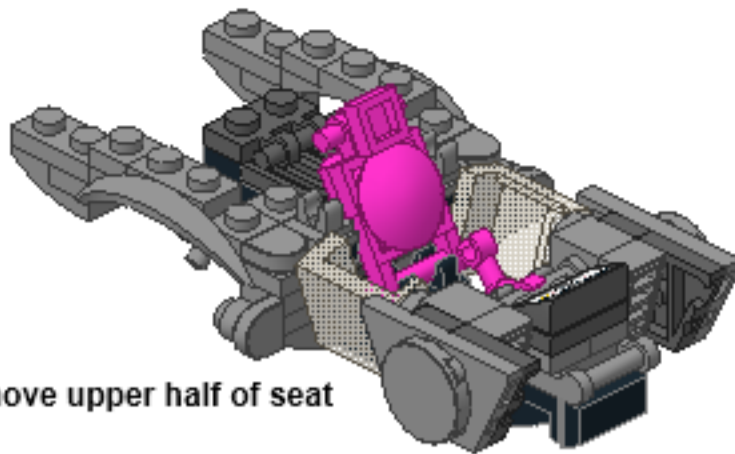
14



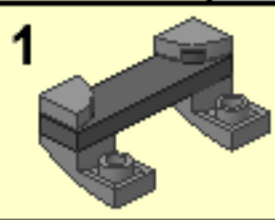
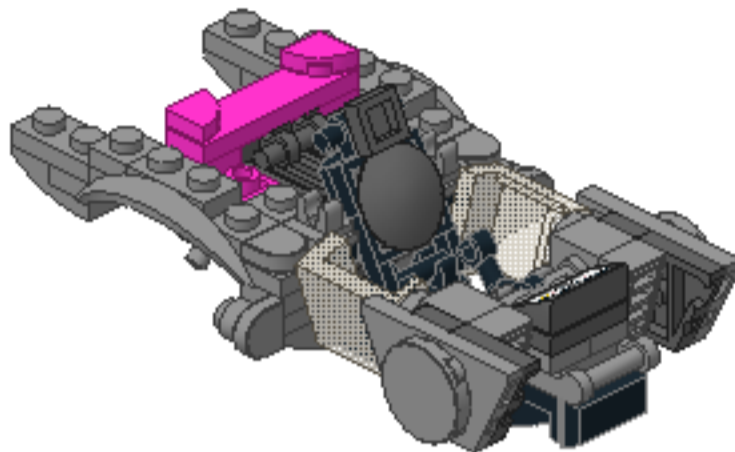
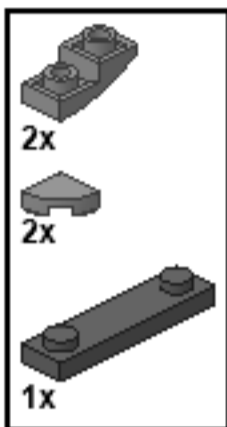
15



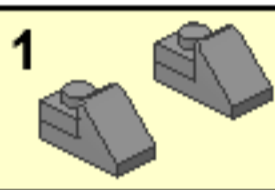
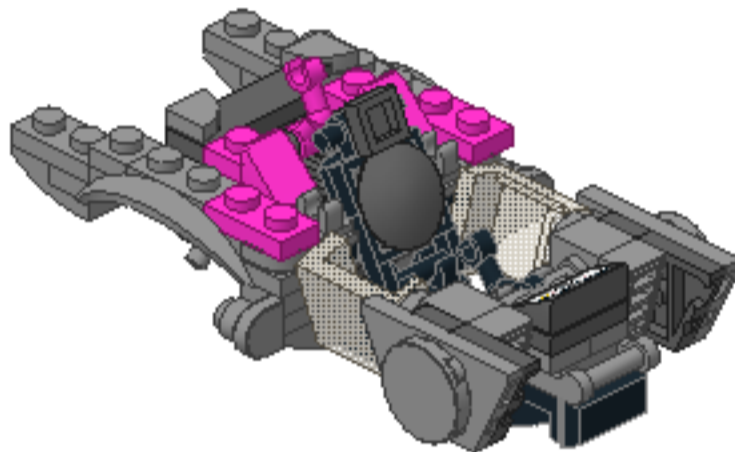
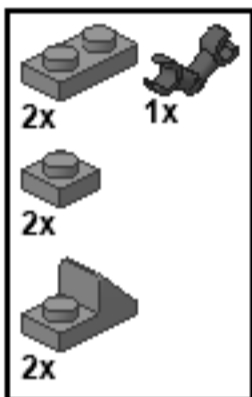
If pilot has large hair, remove upper half of seat



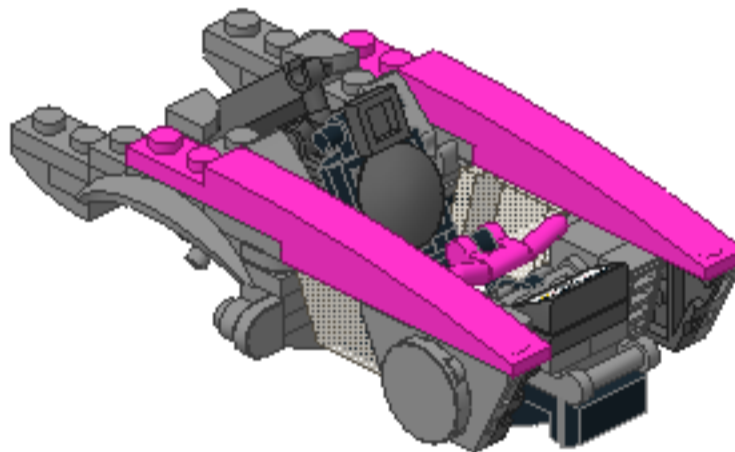
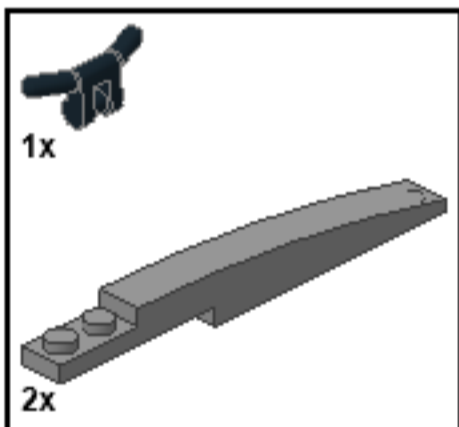
16



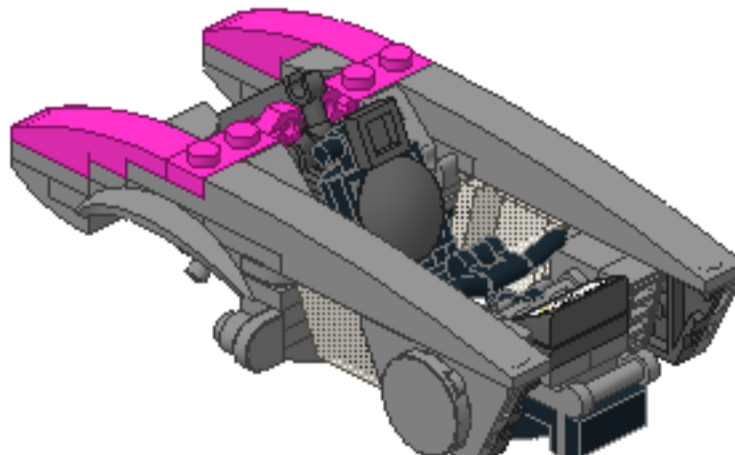
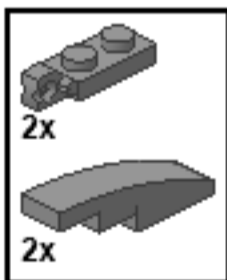
17



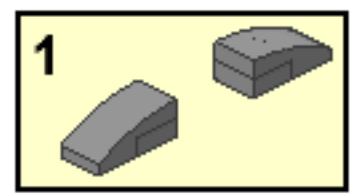
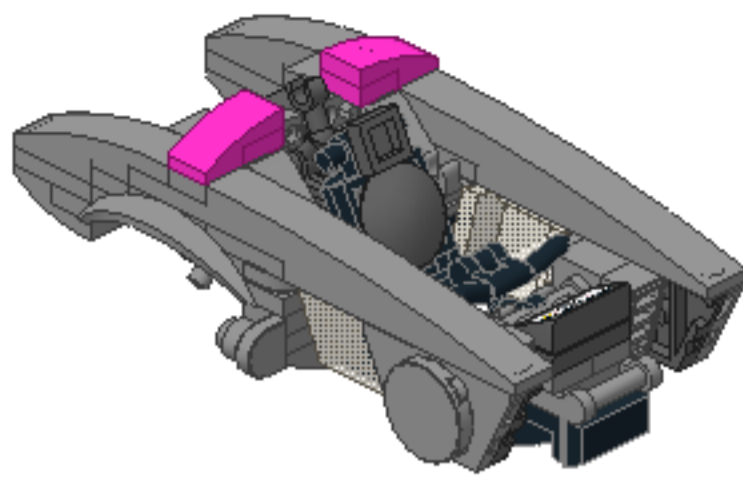
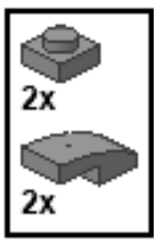
18

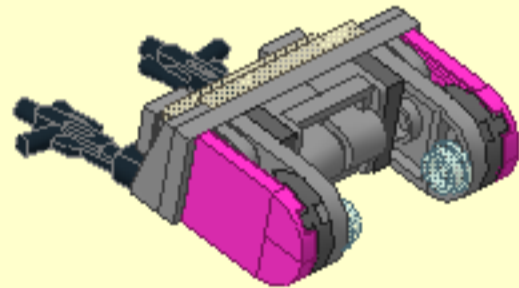
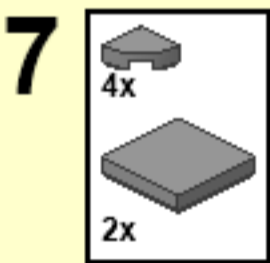
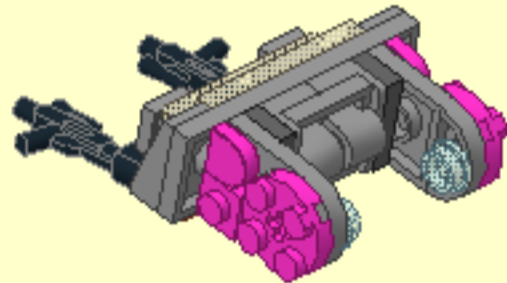
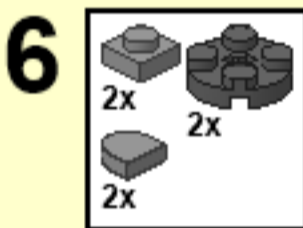
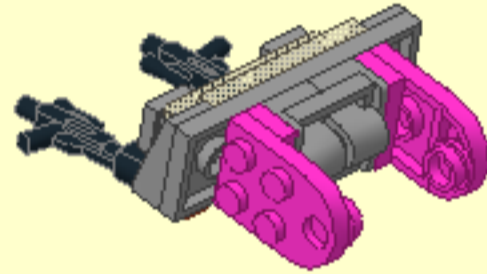
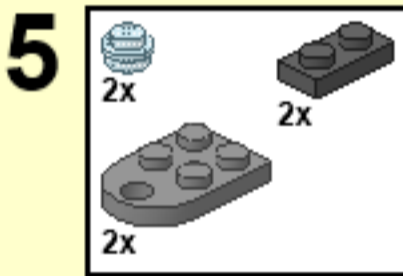
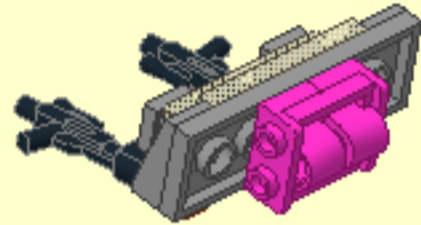
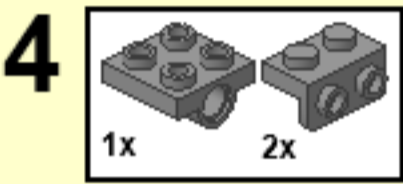
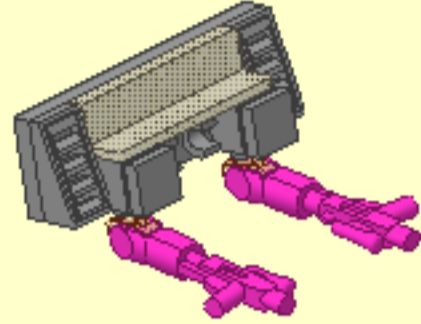
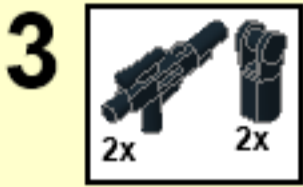
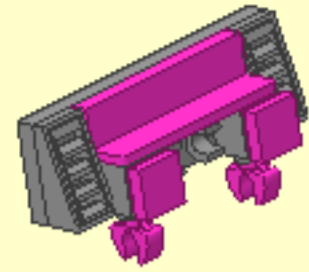
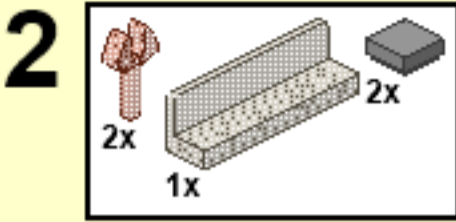
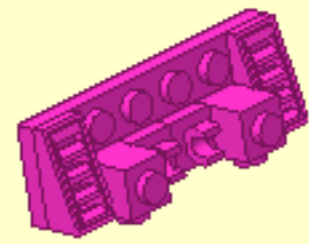
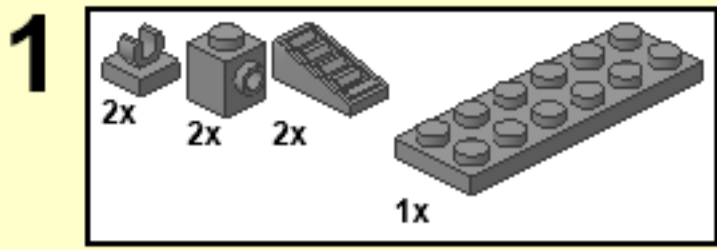


19

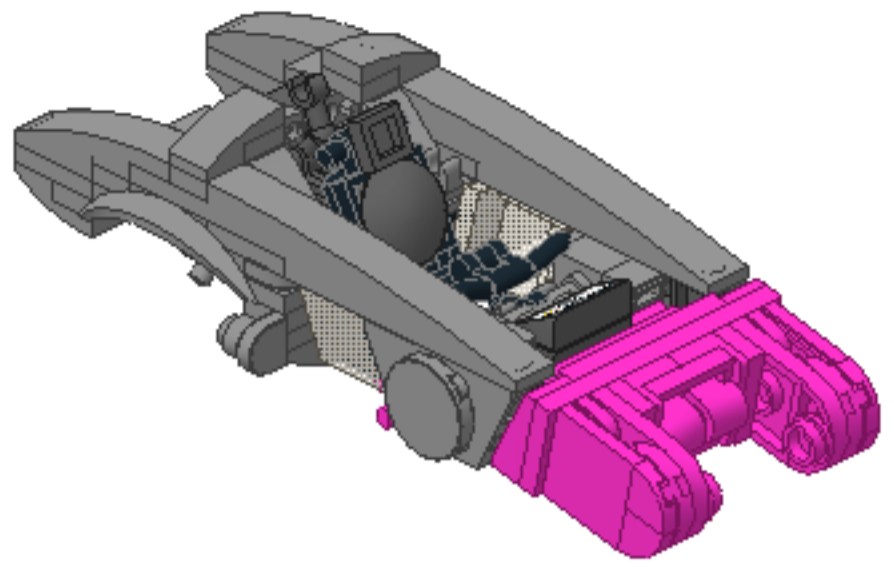
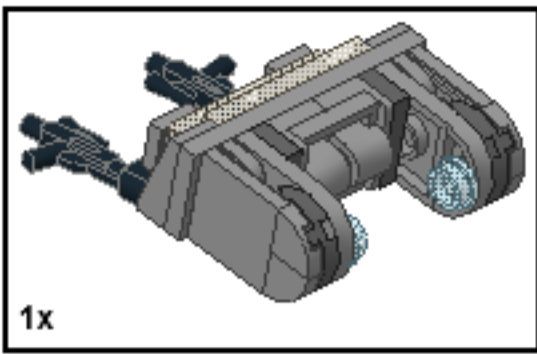


20

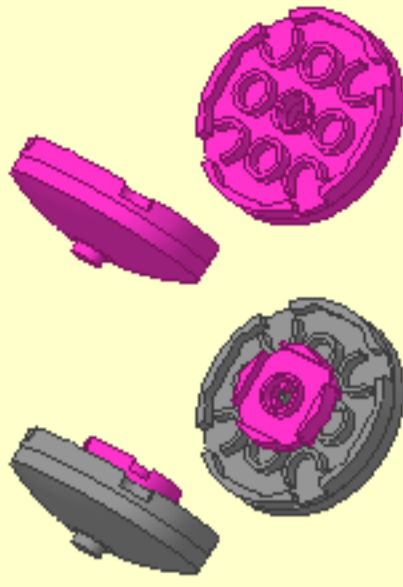
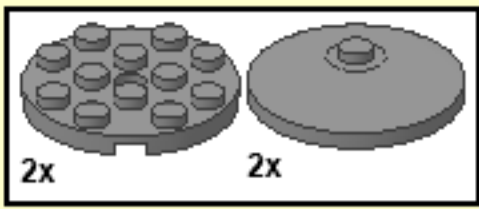




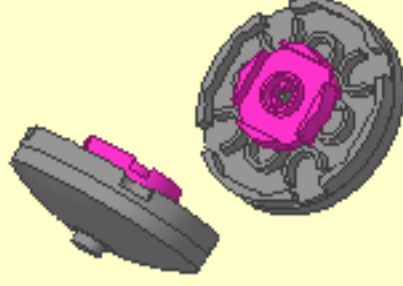
21



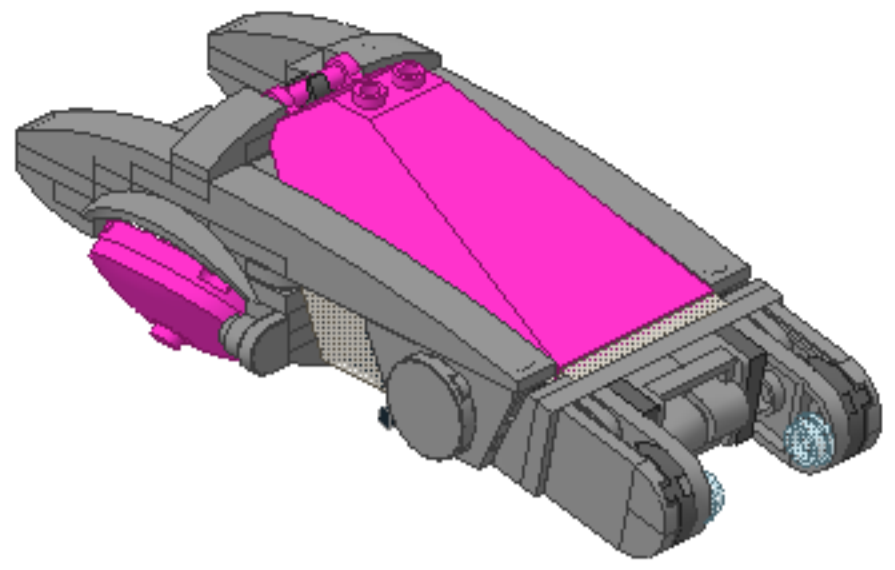
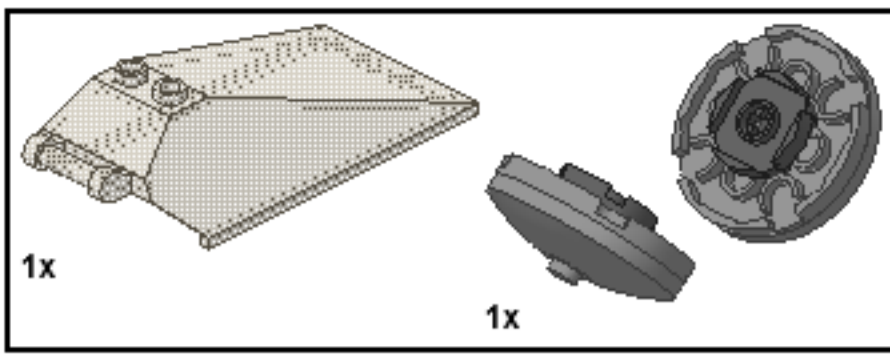
1



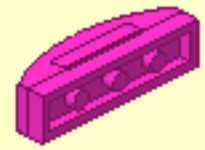
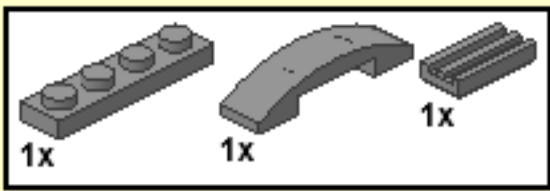
2



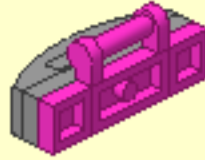
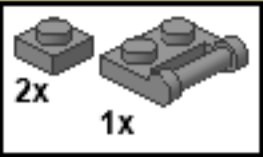
22



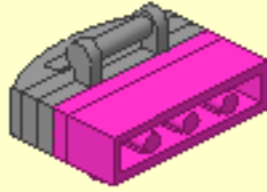
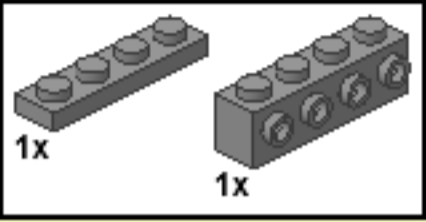
1

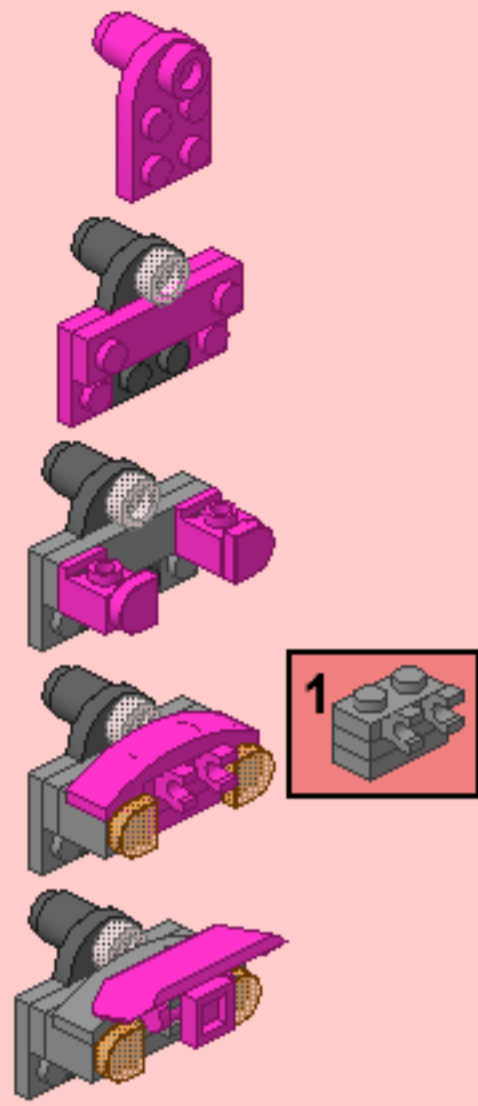
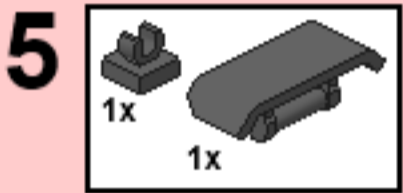
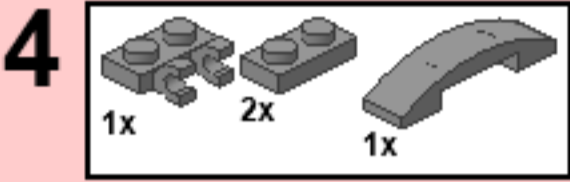
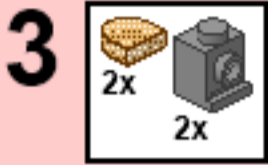
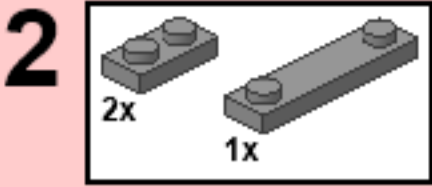
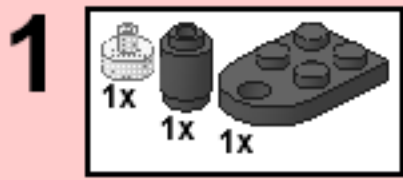


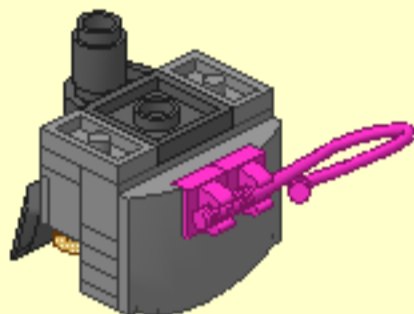
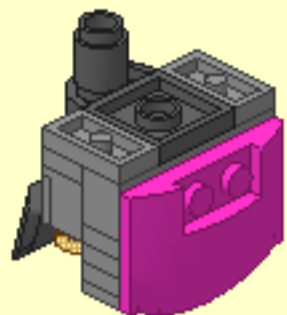
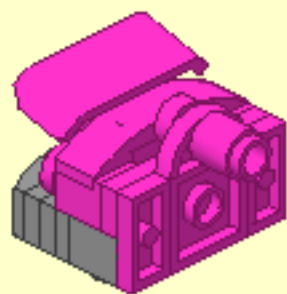
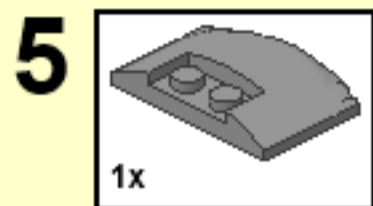
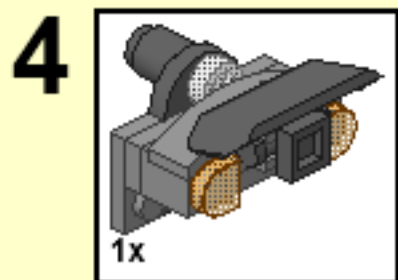
2



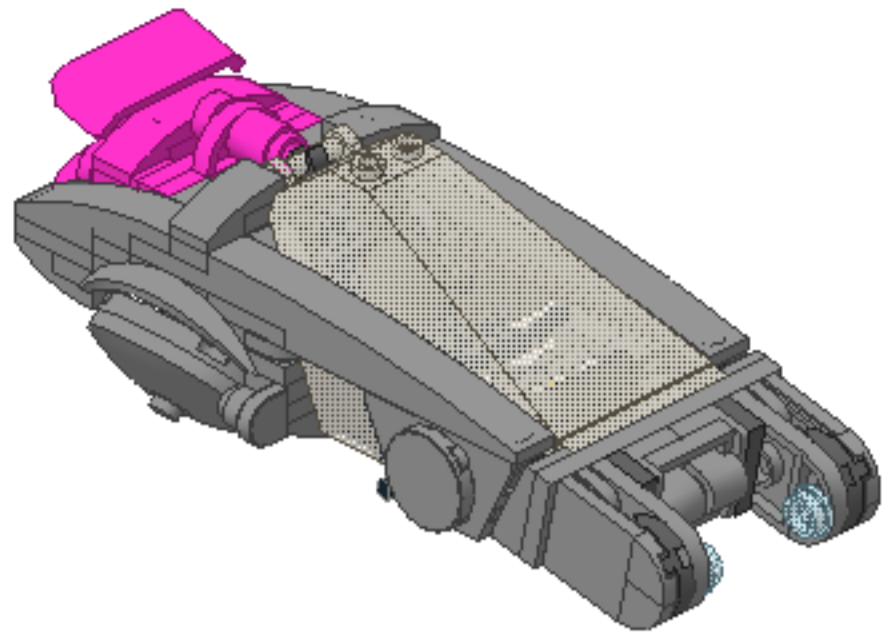
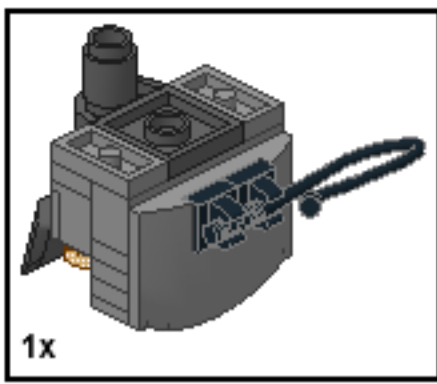
3



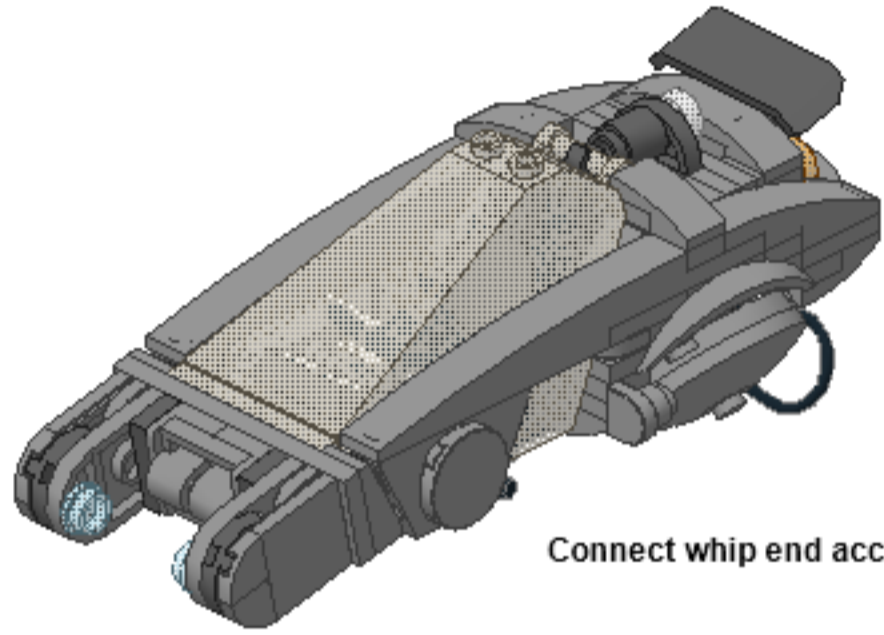




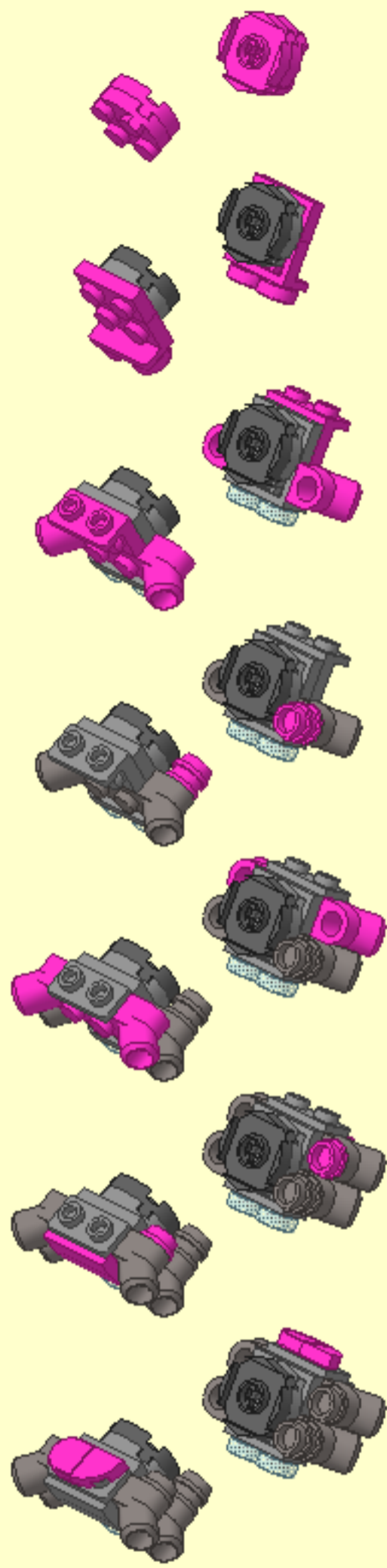
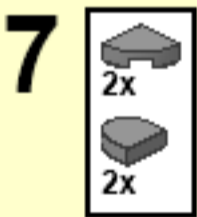
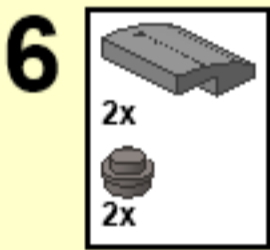
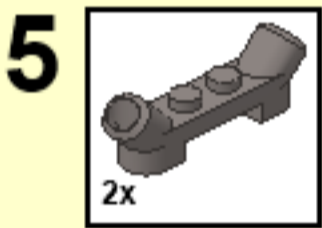
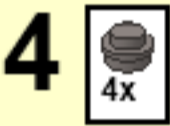
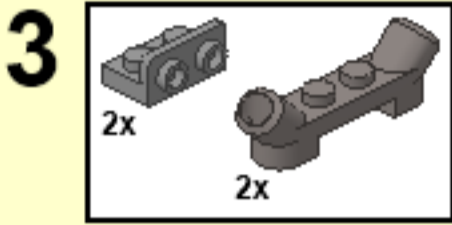
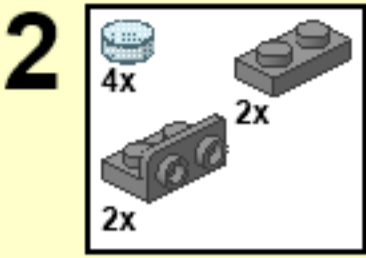
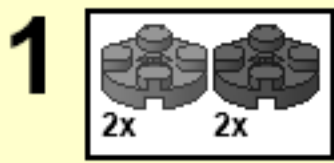
23



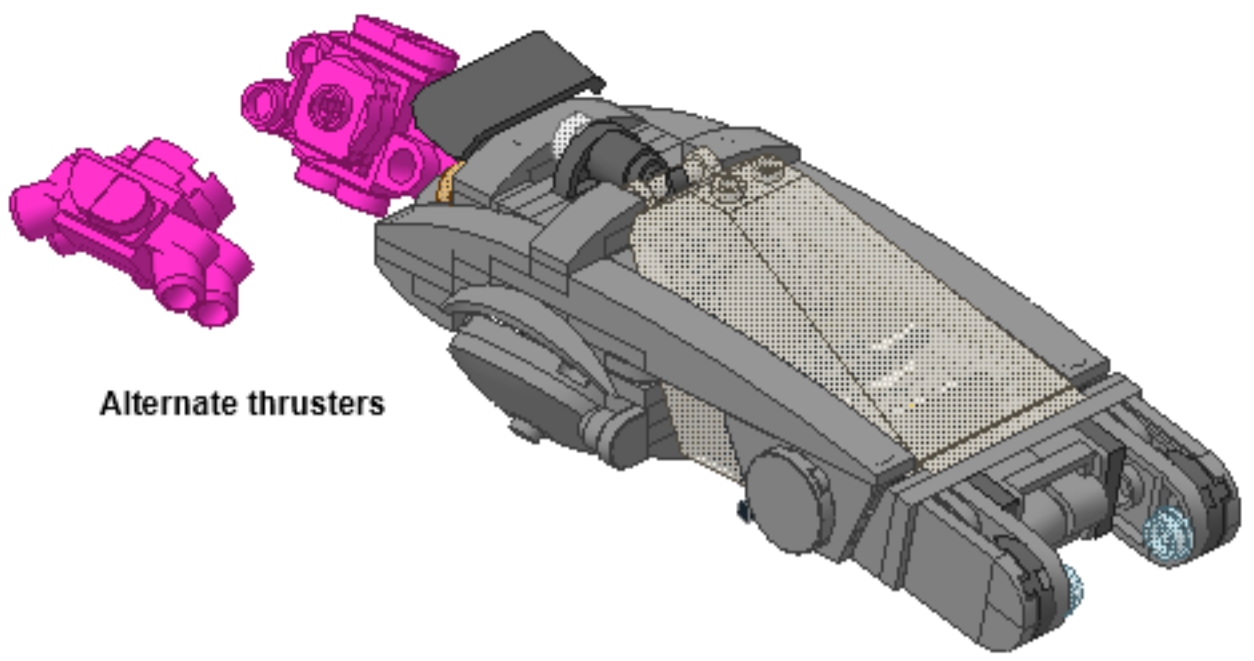
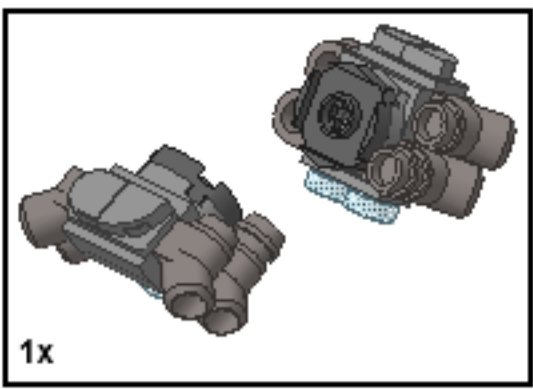
24



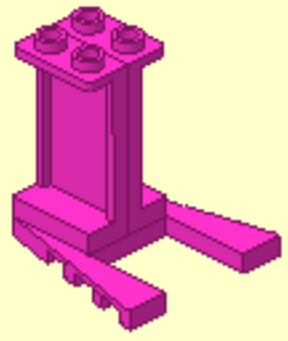
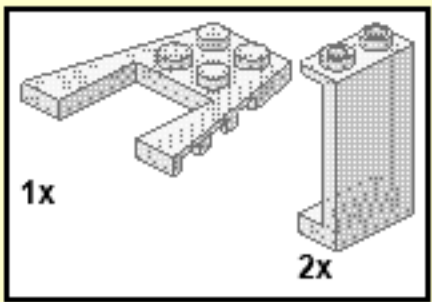
Connect whip end according to photos



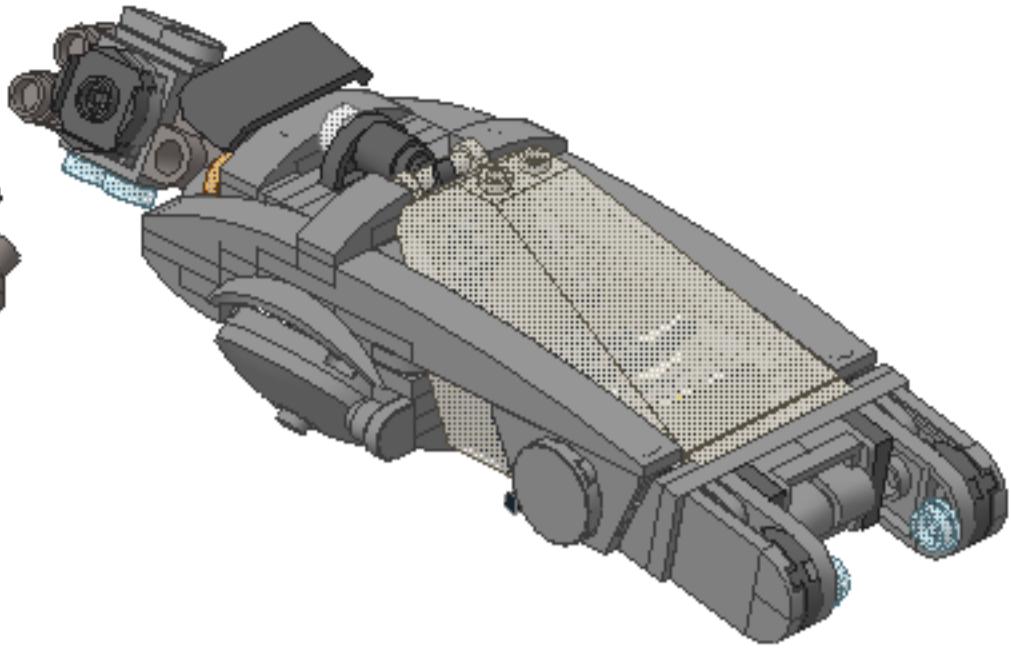
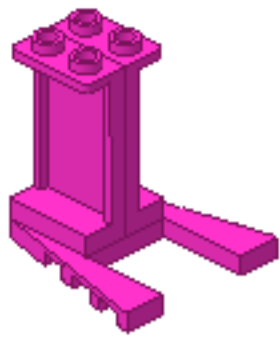
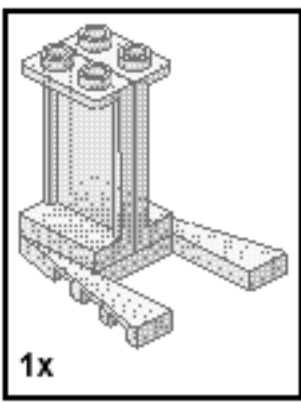
25



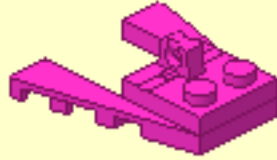
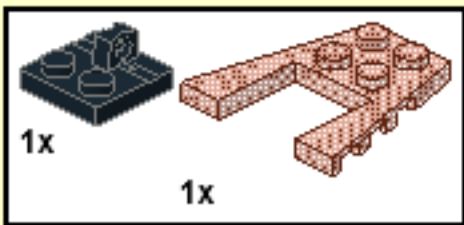
1



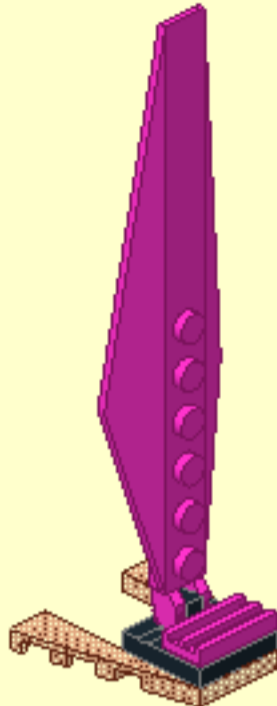
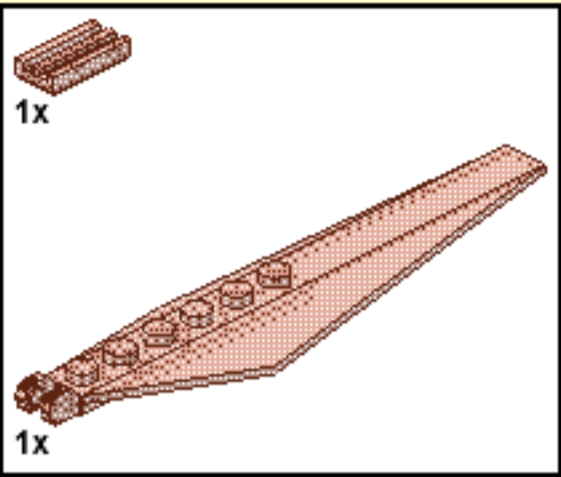
26



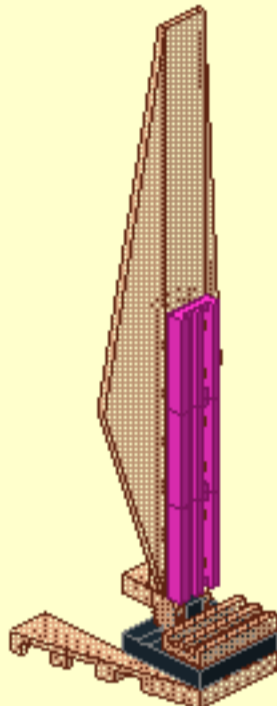
1



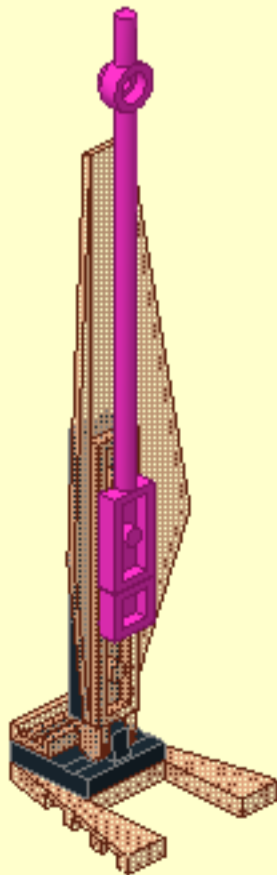
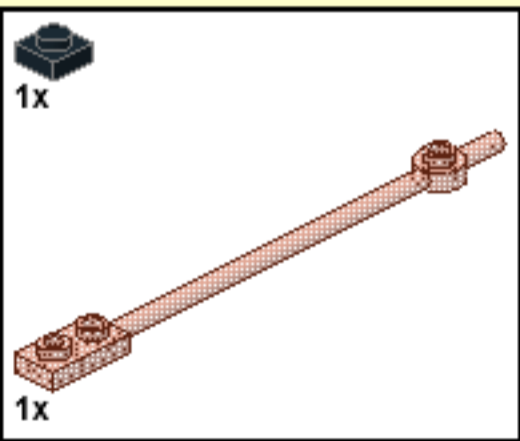
2



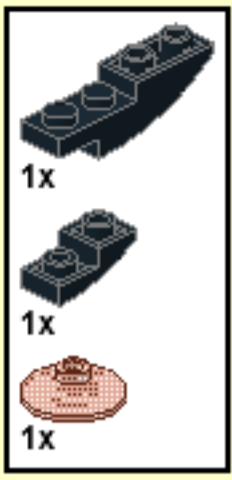
3



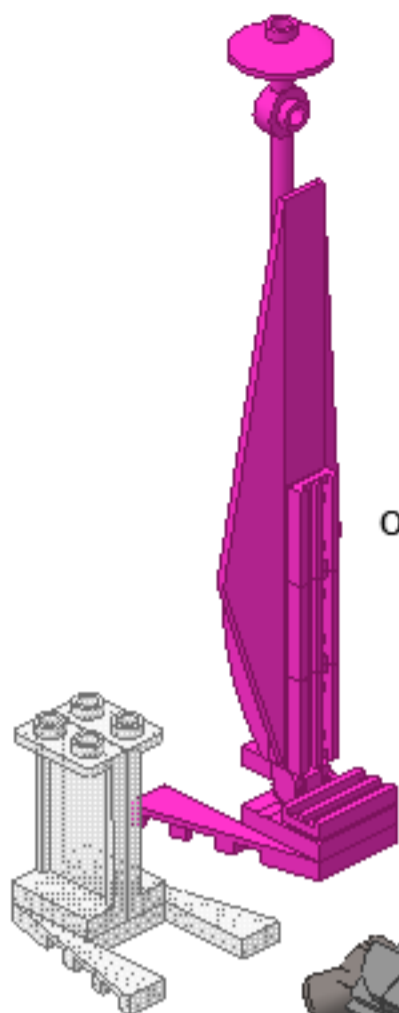
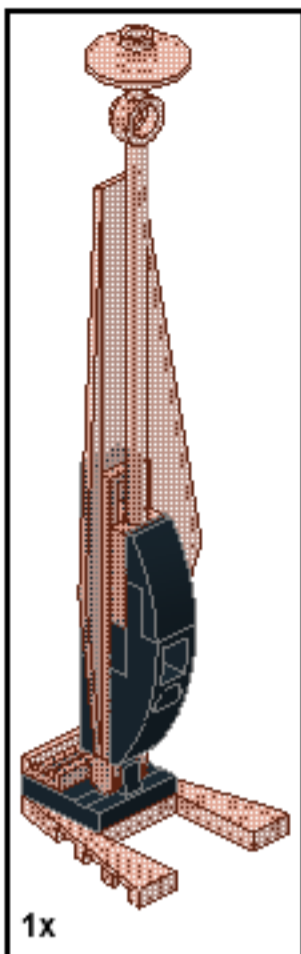
4



5



27



Optional display stands

